

19" STB Security Box Series Wall Mounting Cabinets



19" STB Security Box Series

Wall Mounting Cabinets

Assembly and Load Test Videos



 https://youtu.be/_bFIDk4ibes

19" STB Security Box Series

Wall Mounting Cabinets

Compliance with standards:

- With the EN 12150-1 standard antistatic, transparent safety glass 4,0 mm front glass door.
- Round quarter turn lock which is compatible with DIN 1743, DIN 53571, RoHS.
- EN IEC 60297- Mechanical constructions for electrical devices. mechanical constructions (19 inch series) with standard universal 482,6 mm profiles
- EN IEC 60917- Modular layout for development of mechanical constructions in electronic equipment applications.
- EIA/ ECA-310 (D/E) 19" 482,6 mm and U 44,45 mm Height Sizing
- EN 61587-1 For electronic devices inner usage mechanic construction cabinets, bottom shelves, cases, IEC 60917 and IEC 60297 series tests, Chapter 1, environmental conditions, test setup and security rules.
- Climatic and environment: EN 61587-1/4.2, IEC 60068-2-1, IEC 60068-2-2, IEC 60068-2-30
- Static Mechanical Load Lifting: EN 61587-1/5.2.1
- Static Mechanical Load Stiffness: EN 61587-1/5.2.2
- Dynamic mechanical load vibration and shock, impact: EN 61587-1/5.3.1, EN 61587-1/5.3.3, IEC 60068-2-6, IEC 60068-2-27
- Grounding: EN 61587-1/6.2
- Fireproofing: EN 61587-1/6.3
- IP protection class (IP code): IP20, EN 61587-1/6.4
- The powder paint used is non-flammable and has a flame-retardant resistant according to TS EN 13501-1 + A1 standard
- TS EN ISO 9227 corrosion tests, salt spraying tests, TS EN ISO 2409 paints and varnishes, cross cutting test, TS 2311 EN ISO2178 above magnetic metals non-magnetic covering, measuring covering thickness, magnetic method
- 2011/65/EU- regulation of hazardous material restriction/ RoHS suitability
- TS EN 60950-1 information technology devices, Security- Chapter 1
- General rules- CE conformity
- Sheet steel: DIN 934, DIN 985, DIN 933 - EN ISO 2081 metallic and other inorganic coverings covered above iron or steel with the additional process electrolytic zinc covering standards

Production Facility Standards

- ISO 9001- Quality Control System
- ISO 14001- Environmental Management System
- ISO 45001- Occupational Health and Safety Management System



19" STB Security Box Series

Wall Mounting Cabinets

STB Security Box wall mounting cabinets are designed for network distribution, where a fast efficient installation is required, providing a cost-effective solution.

Whilst the product provides maximum performance on cabling and networking installations, the unique design provides an economic solution compared to its quality which is based on high technology, fully automated production techniques.

19" STB Security Box network cabinets specially designed for flat pack, for cost effective logistics plus fast efficient assembly. 40 feet container or Truck can carry approximately 3.000pcs flat packed products depending on size of cabinets ordered, this means low transport cost is achieved.



Each cabinet is supplied as standard with a safety glass front door lockable with a barrel style keyed one point "O" locking unit.

The 19" cabinet supplied as W: 542 x D: 400 mm sizes, 4 different heights of 4U, 7U, 9U and 12U.

Completely standard and stocked product portfolio, being delivered as a single piece flat pack product, as standard shipping configuration 1 set: 2pieces 19" adjustable depth equipment mounting rails are included, option for additional mounting rails if required.



19" STB Security Box Series

Wall Mounting Cabinets

Framework- Top/Bottom Cases:

Multi folded automated bending technology design for framework and top/bottom cases, this provides a heavy-duty structure which results in, a high load capacity of 50 kg's.

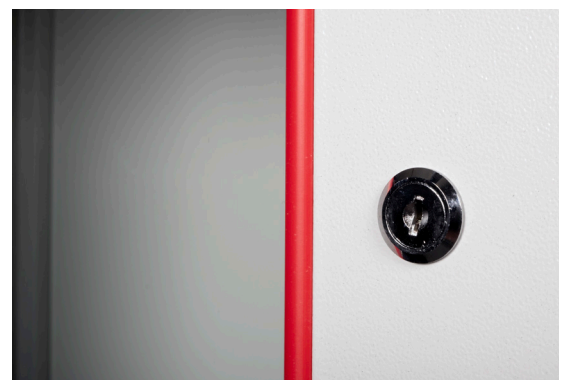
A optional fan module can be integrated or just single fan could be assembled directly.

Cable entry available on top, bottom and rear panel with sizes W: 145 mm x D: 70 mm are available. Cable entry locations can be opened with knock-out. Options for Plastic Cable entry cover plates or brushed cable entries and sliding rubber edge cable entry module can be added.

The shatterproof, antistatic, transparent, 4,0 mm thickness safety glass door with single point keyed locking barrel lock system integrated with "O" type locker.

Flexible front door opening direction is set right to left, but reversible to left to right at site, by changing the hinge pin location.

Available/stocked colour of STB Security Box wall mounting cabinets are in RAL 7035 Light Grey.

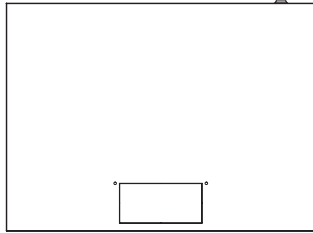


19" STB Security Box Series

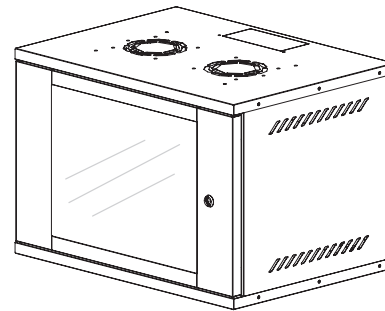
Width: 542 mm
Depth: 400 mm

Wall Mounting Cabinets

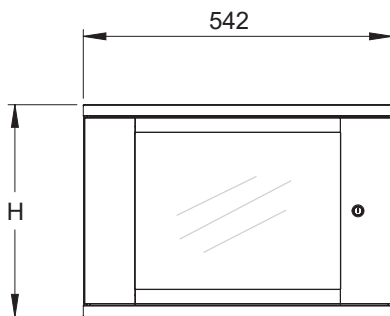
Construction Drawings



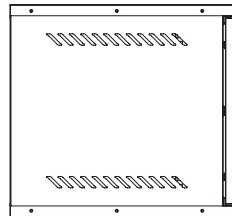
Bottom view



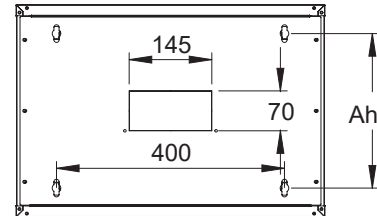
Isometric view



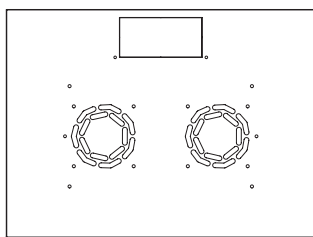
Front view



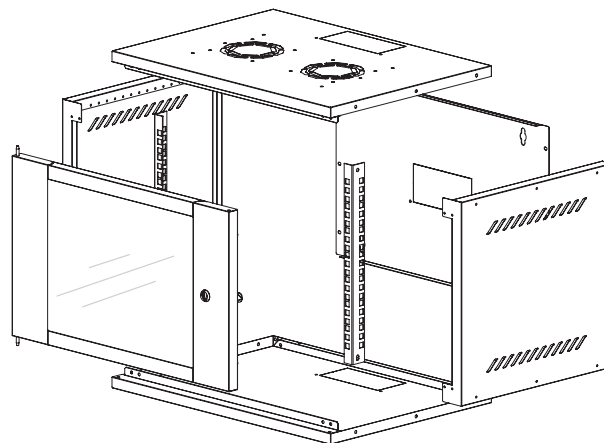
Side view



Rear view



Top view



Exploded view

19" STB Security Box Series Wall Mounting Cabinet W542 mm D400 mm / Material Thickness (mm)

*Part Number	Top cover	Bottom	Front Door (Vertical Frame)	Front Door (Horizontal Frame)	Rear Panel	Side Panel	19" Rails
LN-STBXXU5440LG	0,6	0,6	0,6	0,5	0,8	0,6	1,4

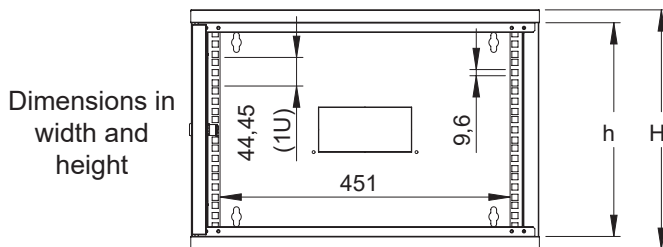
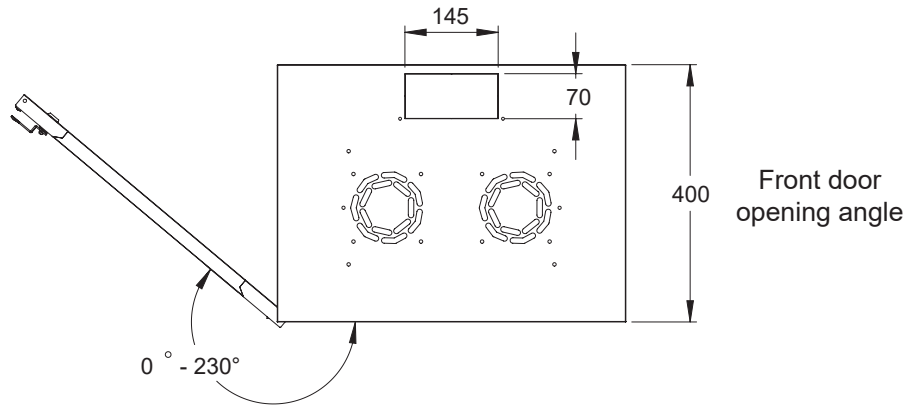
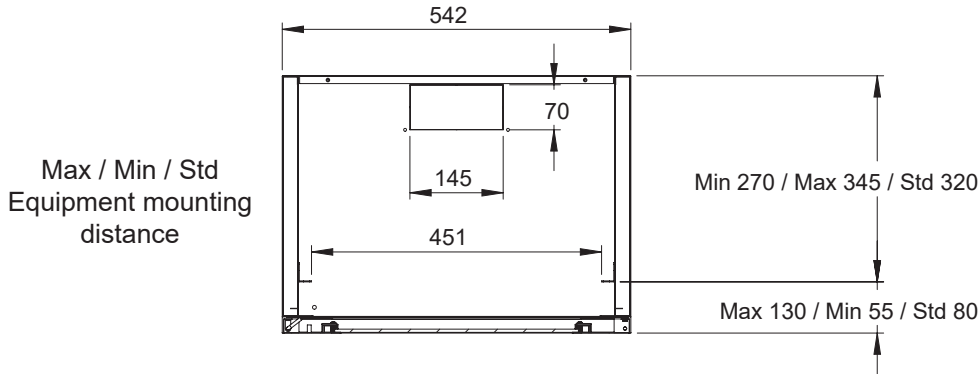
* XX= 04,07,09,12.

19" STB Security Box Series

Width: 542 mm
Depth: 400 mm

Wall Mounting Cabinets

Construction Drawings



U Height	h	H	Ah	Gross Weight (kg)
4U	178	240	138	7,1
7U	311	374	271	8,9
9U	400	462	360	11
12U	533	596	493	13

19" STB Security Box Series Wall Mounting Cabinets W=542 mm D=400 mm Flat Pack

*Product Code	Series	Product Description	Product Dimensions WxDxH mm	**Demonte Packing Dimensions WxDxH mm	h size in U	h mm	Gross Weight (kg)
LN-STB04U5440-LG	STB Security Box Series	4U 19" STB Security Box Wall Mounting Cabinet W=542 mm D=400 mm	542x400x237	565x415x75	4U	178	7,1
LN-STB07U5440-LG	STB Security Box Series	7U 19" STB Security Box Wall Mounting Cabinet W=542 mm D=400 mm	542x400x370	565x415x100	7U	311	8,9
LN-STB09U5440-LG	STB Security Box Series	9U 19" STB Security Box Wall Mounting Cabinet W=542 mm D=400 mm	542x400x459	565x415x120	9U	400	11
LN-STB12U5440-LG	STB Security Box Series	12U 19" STB Security Box Wall Mounting Cabinet W=542 mm D=400 mm	542x400x592	615x555x120	12U	533	13

* Cabinet is RAL 7035 Light Grey.

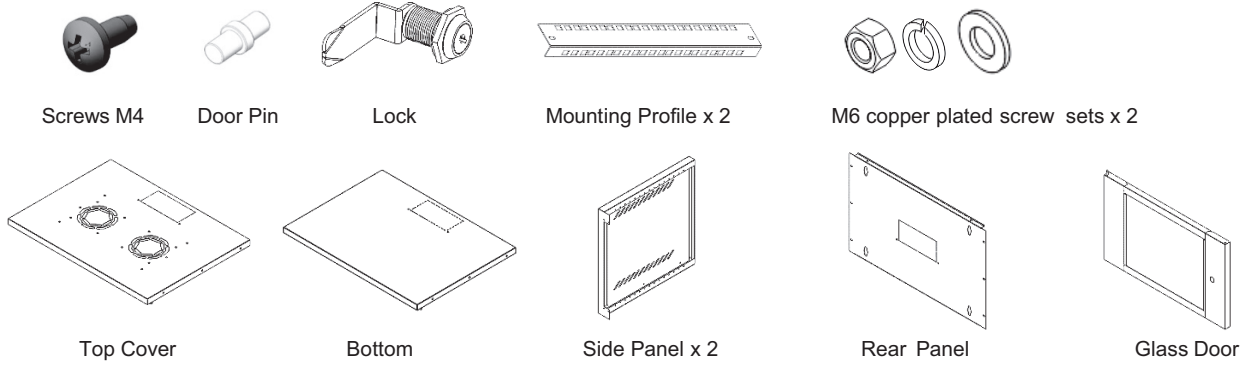
** The product is only shipped flat pack. There is no assembled shipment option.

19" STB Security Box Series

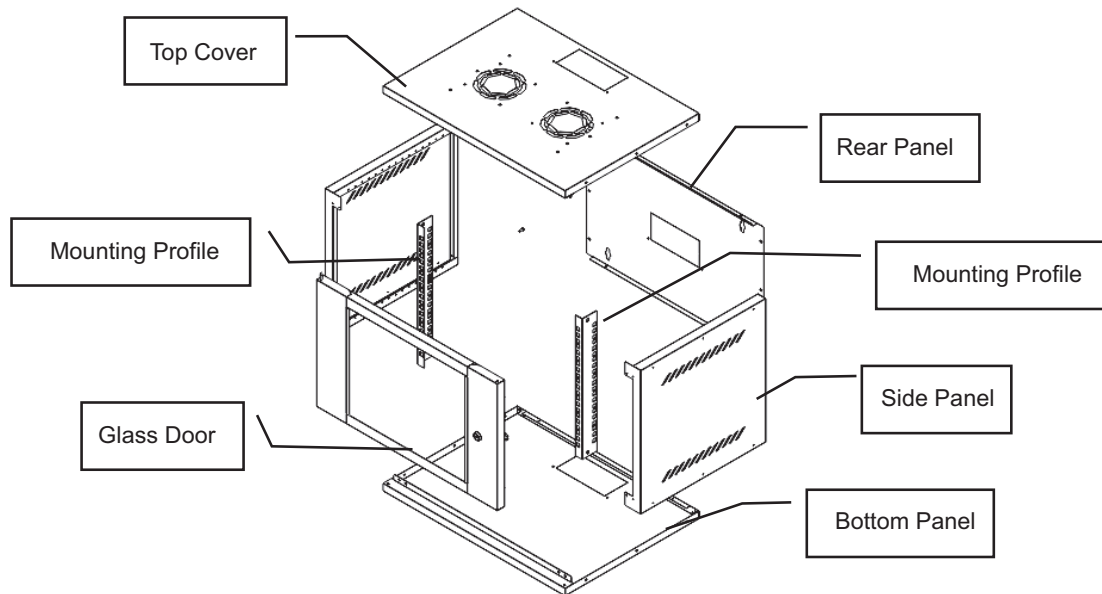
Wall Mounting Cabinets

Assembly Guide

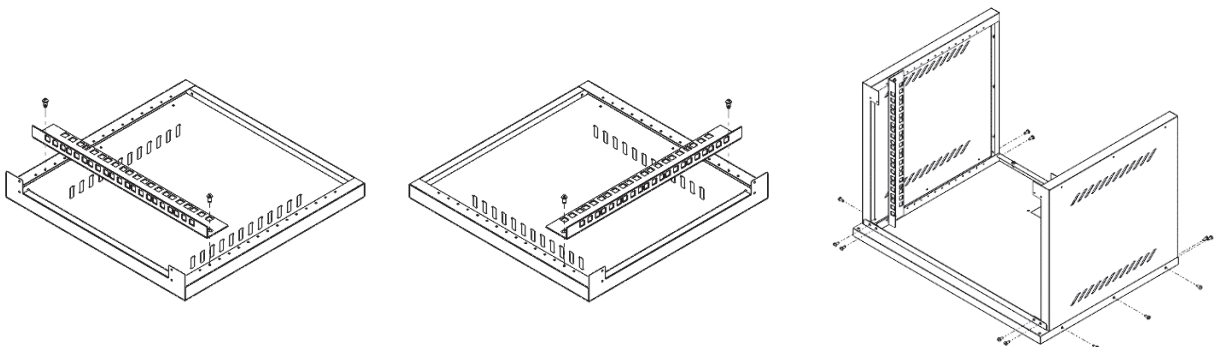
Assembly packing list



Exploded-View



Step 1: Fix the 19" mounting profile on side panel, and connect the bottom

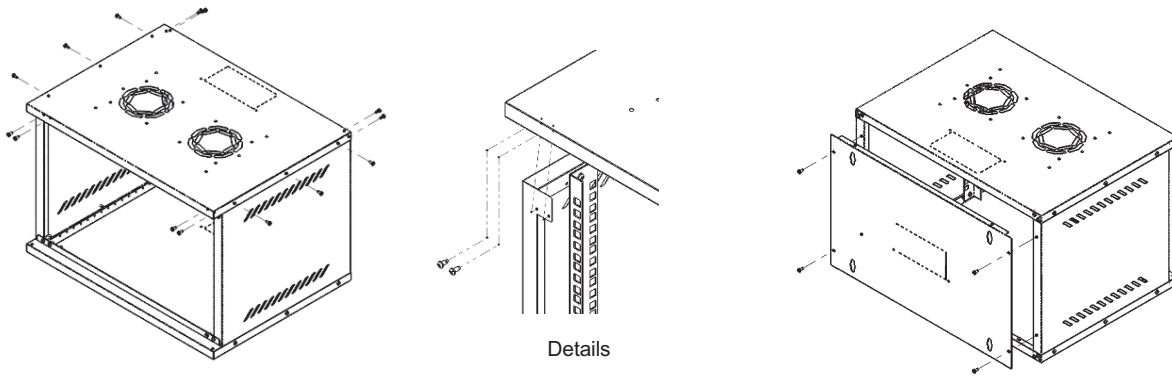


19" STB Security Box Series

Wall Mounting Cabinets

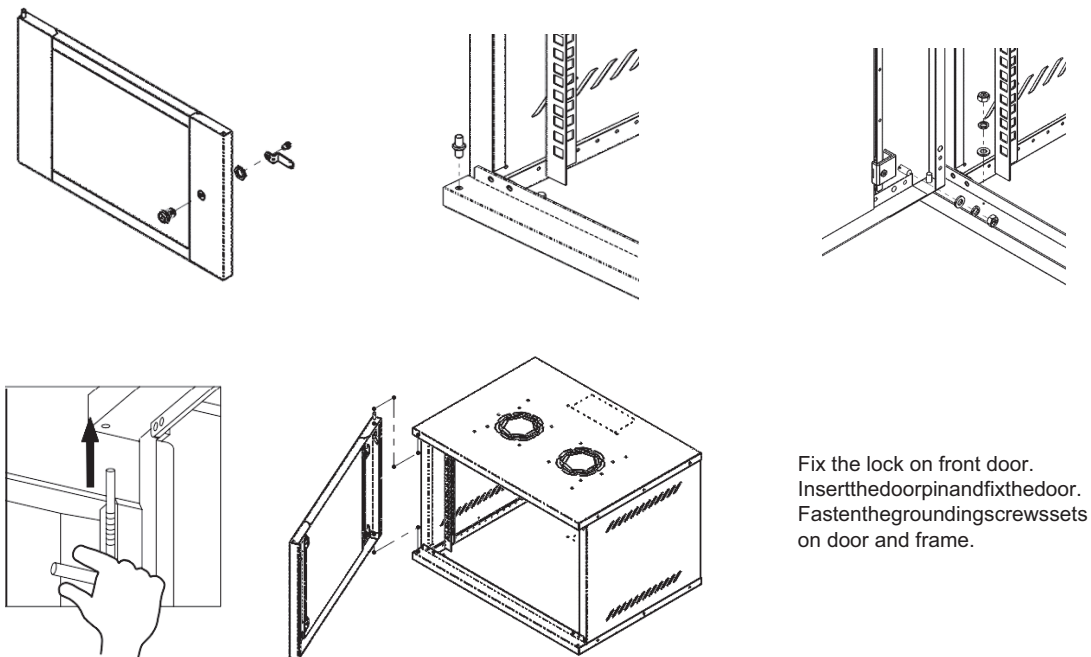
Assembly Guide

Step 1: Fix the top cover and rear panel



9U and 12U rear panel with 6pcs screws;

Step 2: Fix the door and M6 grounding screws sets



Fix the lock on front door.
Insert the door pin and fix the door.
Fasten the grounding screws sets
on door and frame.

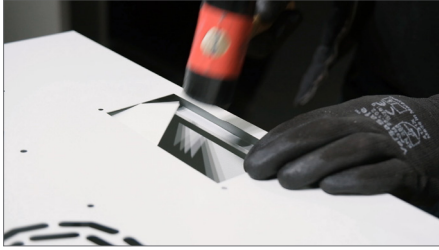
19" STB Security Box Series

Wall Mounting Cabinets

Multiple Cable Entry Options; Knock-Out Micro-Joint Style

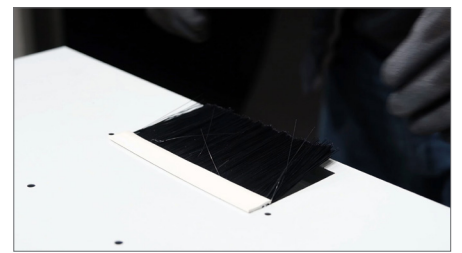
Dummy Plate Cable Entry

Knock-Out of Micro-joint cable entry location and fitting ABS easy fit cable entry dummy plate.



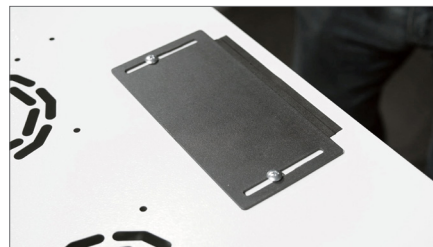
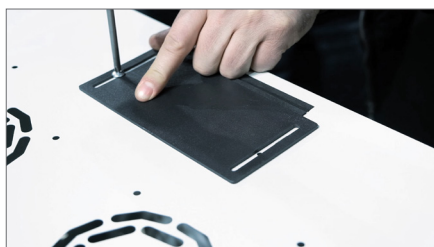
Brush Cable Entry

Knock-Out of Micro-joint cable entry location and fitting the brushed cable entry.



Sliding Rubber Edge Cable Entry Mechanism

Knock-Out of Micro-joint cable entry location and fitting the sliding rubber edge cable entry mechanism.



19" STB Security Box Series

Wall Mounting Cabinets

Flat Pack Design





19" STB Security Box Series

Width: 542 mm
Depth: 400 mm


Wall Mounting Cabinets

Accessories




19" Horizontal Cable Management

Product Picture	Series	Part Number and Product Description	Dimensions WxDxH mm
	Accessory	LN-KDG-YKD-1UKN-LG 1U 19" cable management panel 5 rings, RAL 7035 Light Grey	482x72x44
	Accessory	LN-KDG-YKD-1UFC-LG 1U 19" cable management panel for patchcord entry, brushed type, RAL 7035 Light Grey	482x12x44

19" Economic PDU Module

Product Picture	Series	Part Number and Product Description	Dimensions WxDxH mm
	Accessory	LN-PRZ-SGT-1U6P-SC-P 6xDIN49440 socket schuko power stripe, 19" 1U, pvc housing, 1x16A cct breaker, 4000 Watt, 250V AC, 3x1.5mm ² 1.5m cable, DIN 49441 plug	482x55x60

Cable Entry Panel

Product Picture	Series	Part Number and Product Description	Dimensions WxD mm
	Accessory	LN-PM-PS014-1 Dummy Plate Cable Entry	170x80
		LN-PM-FR-018 Brush type cable entry panel	145x70
		LN-PM-PS297 Sliding Rubber Edge Cable Entry Mechanism	180x90


19" STB Security Box Series

Width: 542 mm
Depth: 400 mm

Wall Mounting Cabinets

Accessories

Fan Module Thermostat Switched Ball Bearing Long Life 50.000 Hours

Product Picture	Series	Part Number and Product Description	Dimensions WxDxH mm
	Accessory	LN-FAN-ONF-1FWM-LG 1 fan units on/off switched, wall mounting, RAL 7035 Light Grey	346x145x50
		LN-FAN-ONF-2FWM-LG 2 fan units on/off switched, wall mounting, RAL 7035 Light Grey	346x145x50
		LN-FAN-THM-1FWM-LG 1 fan units with thermostatic control unit, wall mounting, RAL 7035 Light Grey	346x175x50
		LN-FAN-THM-2FWM-LG 2 fan units with thermostatic control unit, wall mounting, RAL 7035 Light Grey	346x175x50



CONTACT DETAILS

Headquarters

Address:

Merve Mah. Gazi Cad. No: 17 **Phone:** +90 216 312 26 53
Sancaktepe - İstanbul / TURKEY **Fax** : +90 216 312 09 09

Factory

Address:

20. Cadde No: 14 Eskişehir **Phone:** +90 222 236 24 66 pbx
Organize San. Bölğ. 26110 **Fax** : +90 222 236 13 53
Eskişehir / TURKEY

www.lande.com.tr | sales@lande.com.tr

